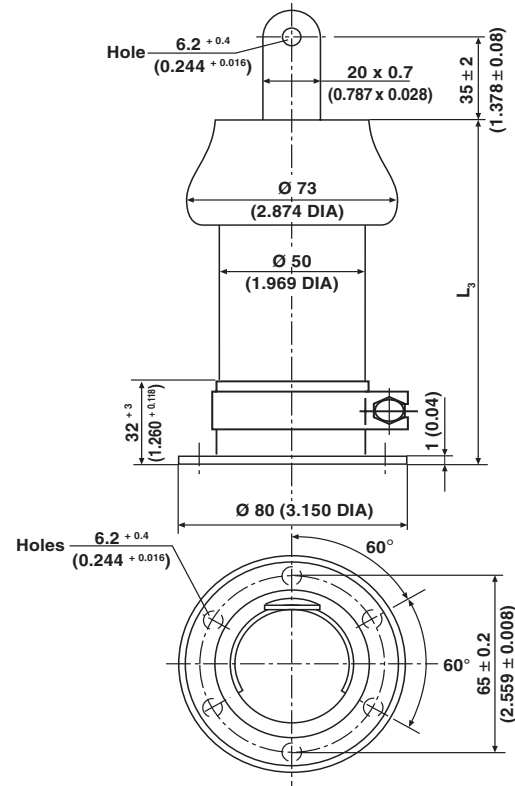
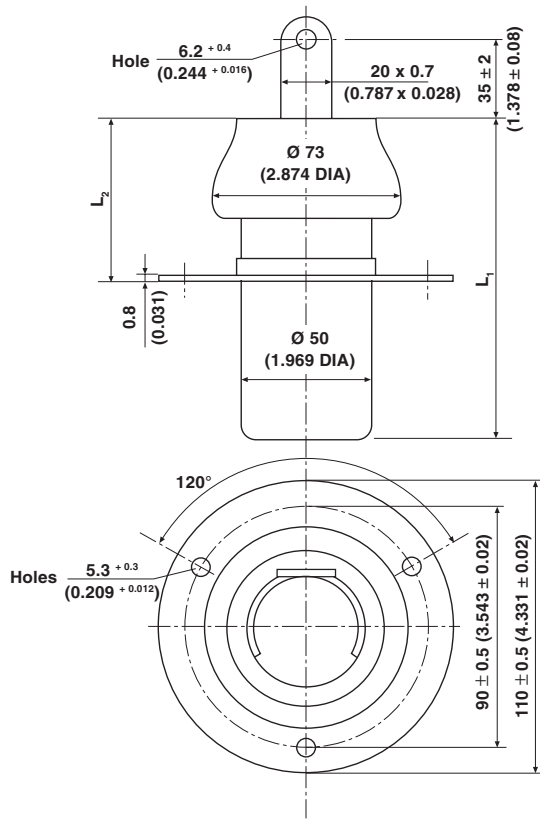


Pot Capacitors, Tag & Flange Mounting

TB 6 KV_p to 12 KV_p

TE 6 KV_p to 12 KV_p



• Dimensions in millimeters (inches)

MODEL	TB 050120 TE 050120	TB 050200 TE 050200
Length L ₁	120 ± 2 (4.724 ± 0.079)	200 ± 2 (7.874 ± 0.079)
Length L ₂	60 ± 2 (2.362 ± 0.079)	100 ± 2 (3.937 ± 0.079)
Length L ₃	125 ± 2 (4.921 ± 0.079)	205 ± 2 (8.071 ± 0.079)

MATERIAL:

Capacitor elements made from Class 1 ceramic dielectric with noble metal electrodes.
Connection Terminals: Copper/brass, silver plated.

FINISH:

Noble metal electrodes completely lacquered. Insulating rim glazed.

MARKING:

Type designator, Capacitance value and tolerance, Rated voltage (peak value), Production date code, Ceramic material code, DRALORIC Logo.

ORDERING INFORMATION				
TE 050200	9 KV _p	5000 pF	± 5 %	R 85
MODEL	RATED VOLTAGE	CAPACITANCE VALUE	TOLERANCE	CERAMIC



T. 050120				
CERAMIC	CAPACITANCE VALUE [pF]	RATED VOLTAGE [KV _P]	RATED POWER* [KVA _r]	RATED CURRENT [A _{RMS}]
R 85	1000	12	60	20
	1200			
	1600	10		
	2000			
	2500	9		
	3000	6		
	4000			

T. 050200				
CERAMIC	CAPACITANCE VALUE [pF]	RATED VOLTAGE [KV _P]	RATED POWER* [KVA _r]	RATED CURRENT [A _{RMS}]
R 85	2000	12	70	20
	2500			
	3000	10		
	4000			
	5500	9		
	6000	6		

CAPACITANCE TOLERANCES: ± 20 %, ± 10 %, ± 5 %

Other capacitance values and tolerances are available on request.



Disclaimer

All product specifications and data are subject to change without notice.

Vishay Intertechnology, Inc., its affiliates, agents, and employees, and all persons acting on its or their behalf (collectively, "Vishay"), disclaim any and all liability for any errors, inaccuracies or incompleteness contained herein or in any other disclosure relating to any product.

Vishay disclaims any and all liability arising out of the use or application of any product described herein or of any information provided herein to the maximum extent permitted by law. The product specifications do not expand or otherwise modify Vishay's terms and conditions of purchase, including but not limited to the warranty expressed therein, which apply to these products.

No license, express or implied, by estoppel or otherwise, to any intellectual property rights is granted by this document or by any conduct of Vishay.

The products shown herein are not designed for use in medical, life-saving, or life-sustaining applications unless otherwise expressly indicated. Customers using or selling Vishay products not expressly indicated for use in such applications do so entirely at their own risk and agree to fully indemnify Vishay for any damages arising or resulting from such use or sale. Please contact authorized Vishay personnel to obtain written terms and conditions regarding products designed for such applications.

Product names and markings noted herein may be trademarks of their respective owners.